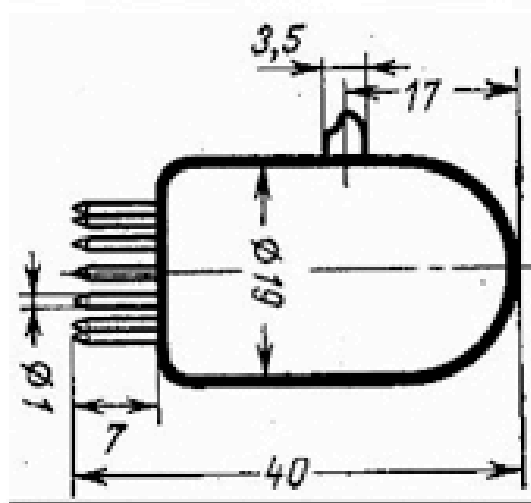


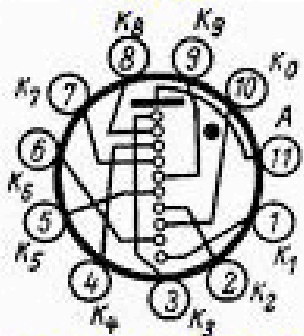
## IN-2

- a tiny little nixie tube, diameter 17mm, height 35mm with pins.  
FIGURE HEIGHT 9mm



Parameter	IN-2
Picture colour	grin
digital presentation	0..9
firing potential of anode-cathode path, U	$\leq 200$ U
upkeep voltage of anode-cathode path, U	100..220 U
indication current	1,5 mA
marking current, mA	1,5...2

### IN-2



Pin 1, K1	Pin 7, K7
Pin 2, K2	Pin 8, K8
Pin 3, K3	Pin 9, K9
Pin 4, K4	Pin 10, K0
Pin 5, K5	Pin 11, Anode
Pin 6, K6	Pin 12, Removed

View from REAR